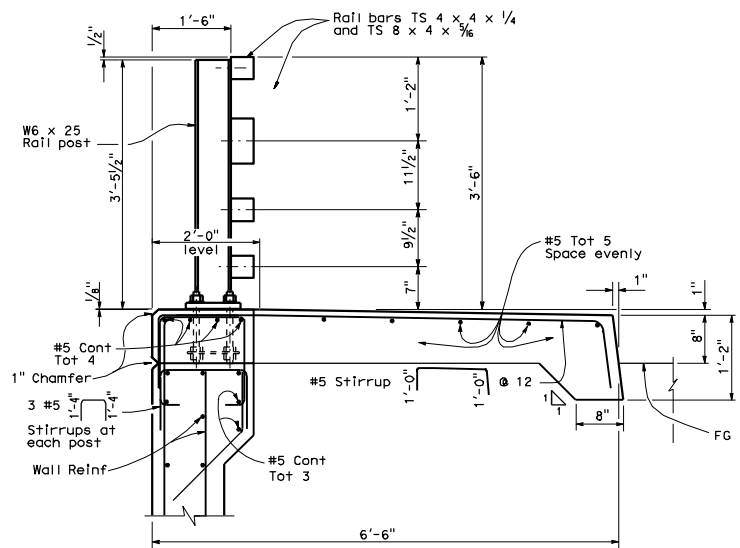
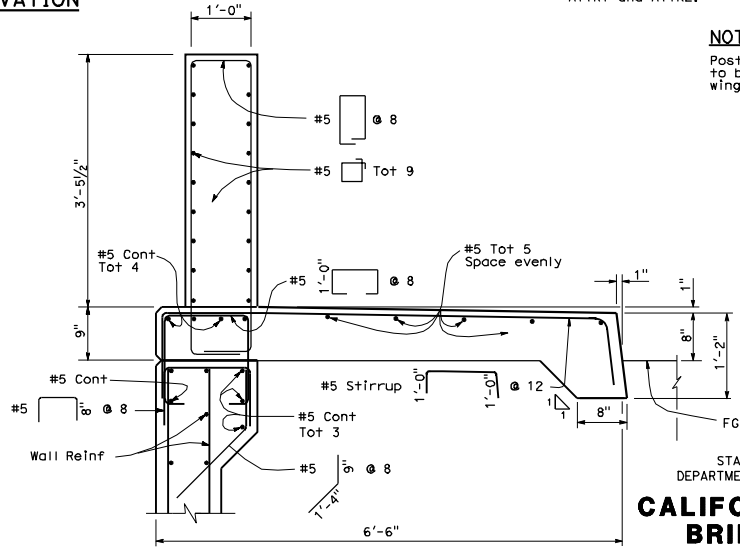


END OF RAILING ELEVATION

For metal railing connection details not shown, See Standard Plans A77K1 and A77K2.



SECTION A-A



SECTION B-B

NOTE: Post spacing and/or end block length to be adjusted to fit bridge length or wingwall length.

STATE OF CALIFORNIA  
DEPARTMENT OF TRANSPORTATION  
**CALIFORNIA ST-40  
BRIDGE RAIL  
(SHEET 2 OF 2)**

NO SCALE

RSP B11-67 DATED JUNE 15, 2007 SUPERSEDES STANDARD PLAN B11-67 DATED MAY 1, 2006 - PAGE 283 OF THE STANDARD PLANS BOOK DATED MAY 2006.

**REVISED STANDARD PLAN RSP B11-67**

DIST	COUNTY	ROUTE	POST MILES TOTAL PROJECT	SHEET NO.	TOTAL SHEETS

REGISTERED CIVIL ENGINEER

June 15, 2007  
PLANS APPROVAL DATE

**REGISTERED PROFESSIONAL ENGINEER**  
Tillot Satter  
No. C42892  
Exp. 03-31-08  
CIVIL  
STATE OF CALIFORNIA

The State of California or its officers or agents shall not be responsible for the accuracy or completeness of electronic copies of this plan sheet.

To accompany plans dated \_\_\_\_\_